

**Tasks to be carried out:**

Please write starting time (indicating h/m/s): \_\_\_\_\_

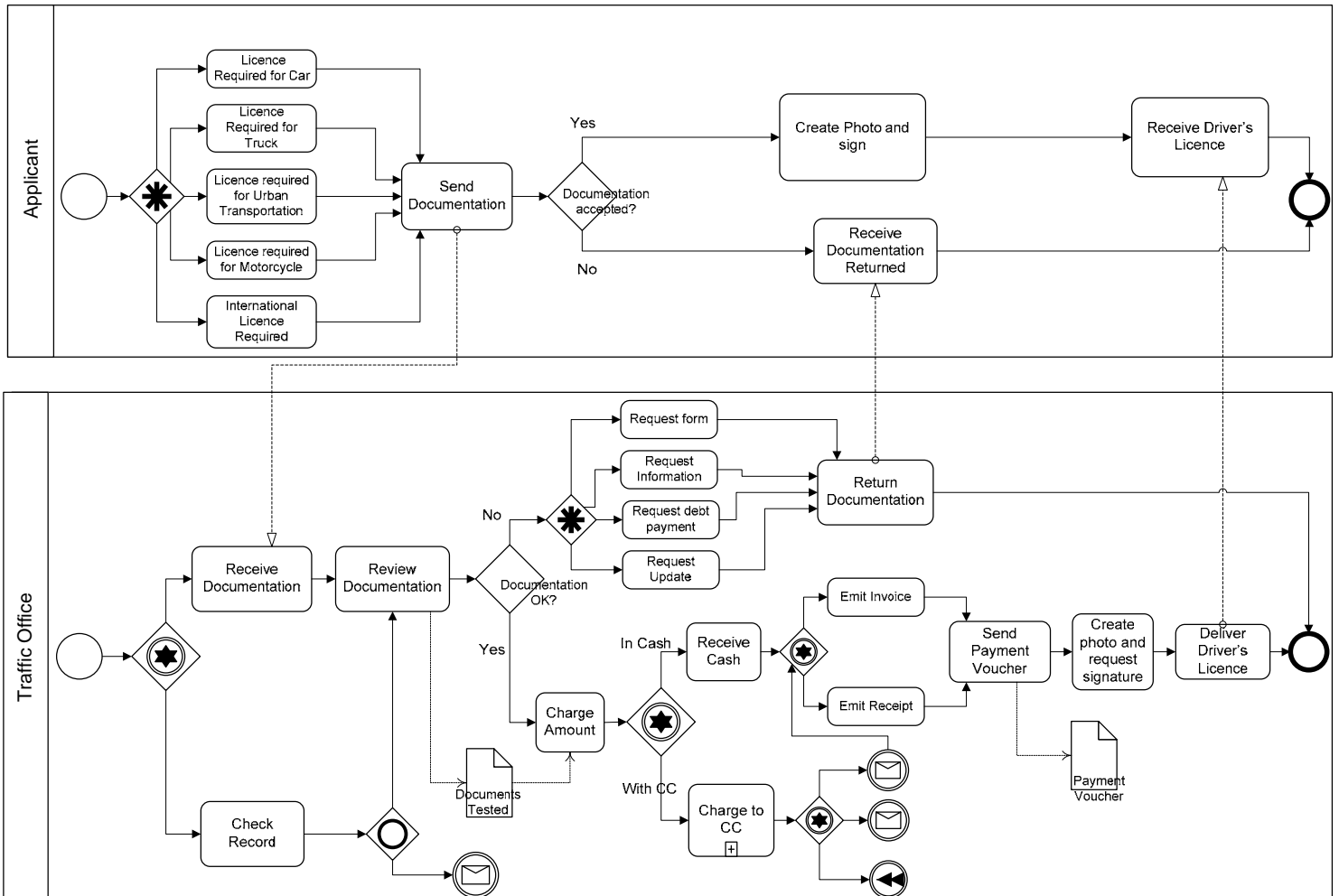
**1) Answer the following questions:**

- \_\_\_\_\_ 1. Can the activities **“Receive cash”** and **“Send Payment Voucher”** be performed simultaneously?
- \_\_\_\_\_ 2. Is the activity **“Review documentation”** carried out after the execution of the activity **“Check Record”**, and is a message sent?
- \_\_\_\_\_ 3. To perform the activity **"Receive documentation returned"** must the activity **"Review documentation"** have been carried out previously?

Please write finishing time (indicating h/m/s): \_\_\_\_\_

**2) According to your own criteria how do you rate the business process model's COMPLEXITY?.**

Very Easy  Quite Easy  Normal  Quite Complex  Very Complex



Model 1 – Driver's Licence Process.

**Tasks to be carried out:**

Please write starting time (indicating h/m/s): \_\_\_\_\_

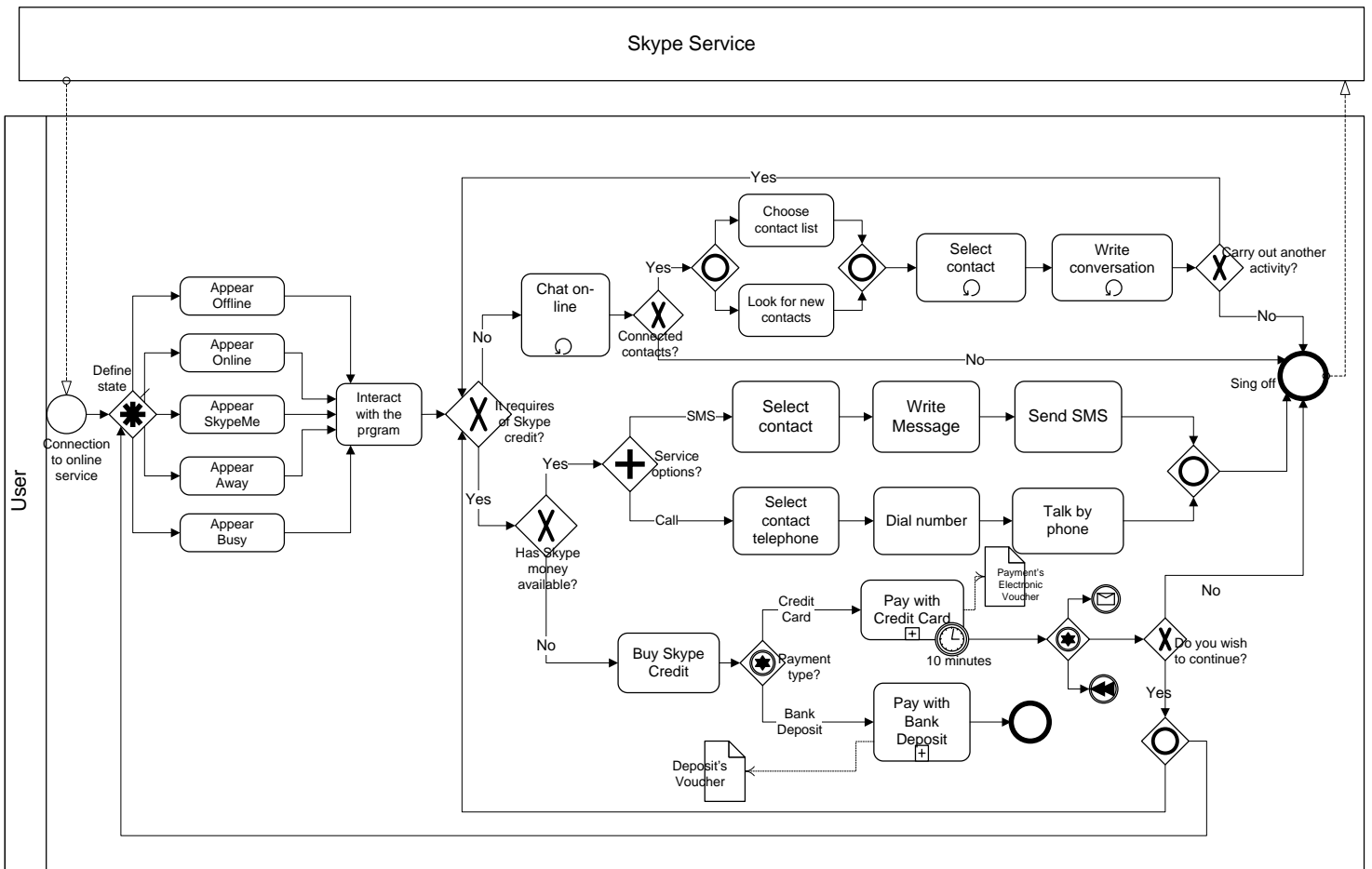
**1) Answer the following questions:**

- \_\_\_\_\_ 1. To perform the activity "Send SMS" must the activity "**Select contact telephone**" be carried out first?
- \_\_\_\_\_ 2. If contacts are connected, can both the "**Choose contact list**" activity and the "**Look for new contacts**" activity take place?
- \_\_\_\_\_ 3. Can the "**Chat online**" and "**Talk by phone**" activities be performed simultaneously?

Please write finishing time (indicating h/m/s): \_\_\_\_\_

**2) According to your own criteria how do you rate the business process model's COMPLEXITY?.**

Very Easy     Quite Easy     Normal     Quite Complex     Very Complex



Model 2 - Skype Service Process.

**Tasks to be carried out:**

Please write starting time (indicating h/m/s): \_\_\_\_\_

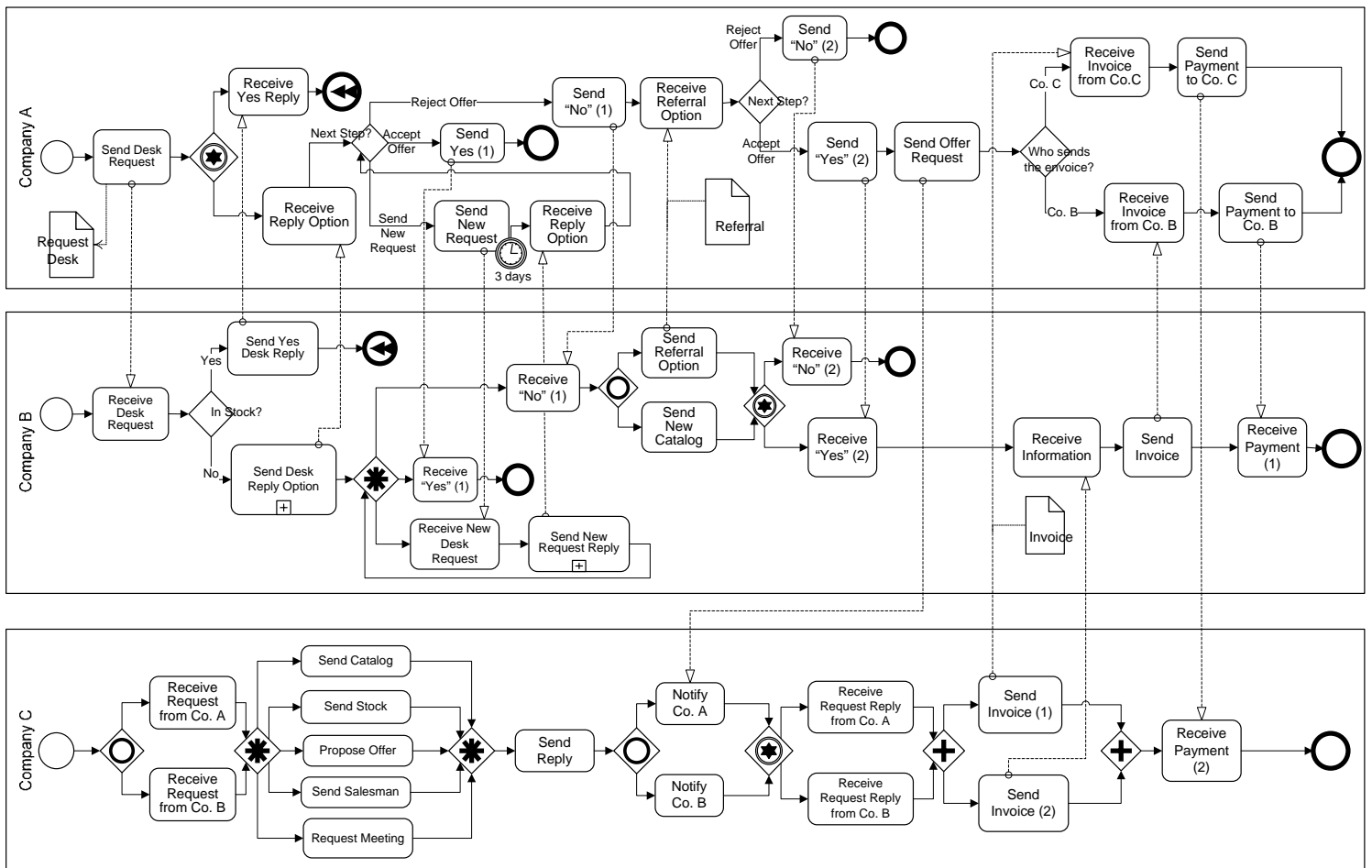
**1) Answer the following questions:**

- \_\_\_\_\_ 1. When the activity “Send reply” is performed, are both the “Send referral option” and the “Send new catalogue” activities carried out?
- \_\_\_\_\_ 2. In order to carry out the activity “Receive Invoice from Co. B” must the activity “Receive ‘No’ (1)” have been carried out first?
- \_\_\_\_\_ 3. Can the activity "Receive referral option" be carried out if, after executing the activity "Receive reply option" the offer is rejected?

Please write finishing time (indicating h/m/s): \_\_\_\_\_

**2) According to your own criteria how do you rate the business process model's COMPLEXITY?.**

Very Easy     Quite Easy     Normal     Quite Complex     Very Complex



Model 3 - Supply Chain Process

**Tasks to be carried out:**

Please write starting time (indicating h/m/s): \_\_\_\_\_

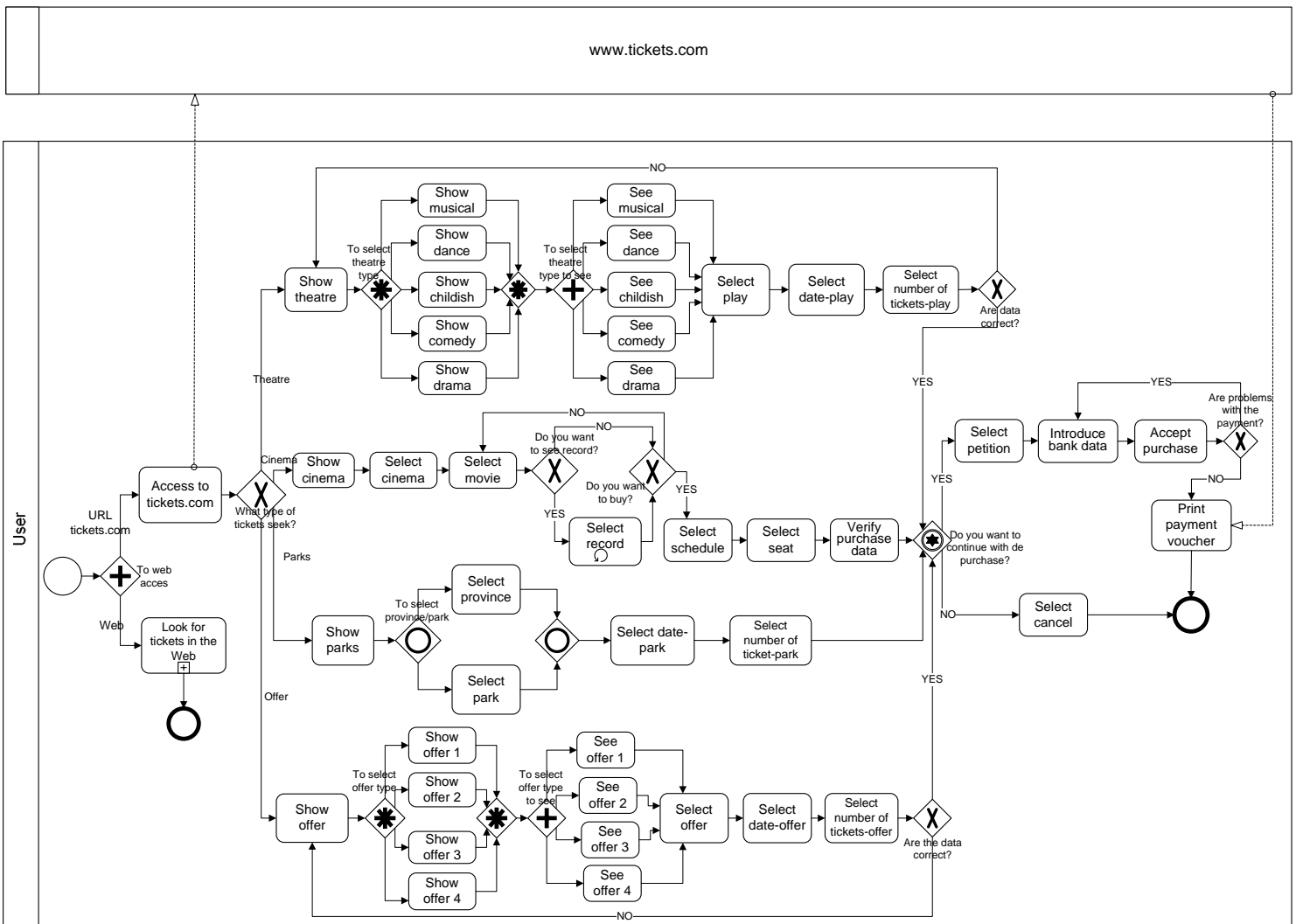
**1) Answer the following questions:**

- \_\_\_\_\_ 1. Can the activity "Select seat" take place, if looking for theatre tickets?
- \_\_\_\_\_ 2. Can the activities "See offer 4" and "See offer 1" be performed simultaneously?
- \_\_\_\_\_ 3. In order to carry out the activity "Select cancel" must the activity "Look for tickets on the web" have been performed first?

Please write finishing time (indicating h/m/s): \_\_\_\_\_

**2) According to your own criteria how do you rate the business process model's COMPLEXITY?.**

Very Easy  Quite Easy  Normal  Quite Complex  Very Complex



Model 4.- On-line ticket purchase process

**Tasks to be carried out:**

Please write starting time (indicating h/m/s): \_\_\_\_\_

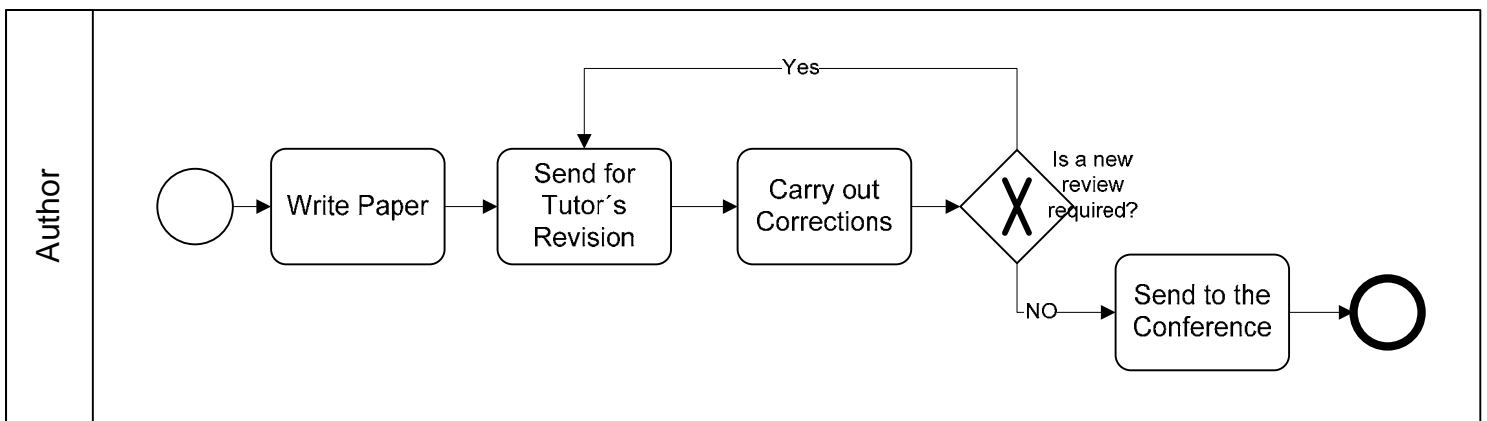
**1) Answer the following questions:**

- \_\_\_\_\_ 1. In order to carry out the activity “**Carry out corrections**” must the activity “**Write paper**” have been performed first?
- \_\_\_\_\_ 2. Can the activities “**Send for tutor’s revision**” and “**Send to the conference**” be performed simultaneously?
- \_\_\_\_\_ 3. Can the activity “**Send to the conference**” be carried out if a new review is required?

Please write finishing time (indicating h/m/s): \_\_\_\_\_

**2) According to your own criteria how do you rate the business process model’s COMPLEXITY?.**

Very Easy     Quite Easy     Normal     Quite Complex     Very Complex



Model 5 – Paper’s Development Process

**Tasks to be carried out:**

Please write starting time (indicating h/m/s): \_\_\_\_\_

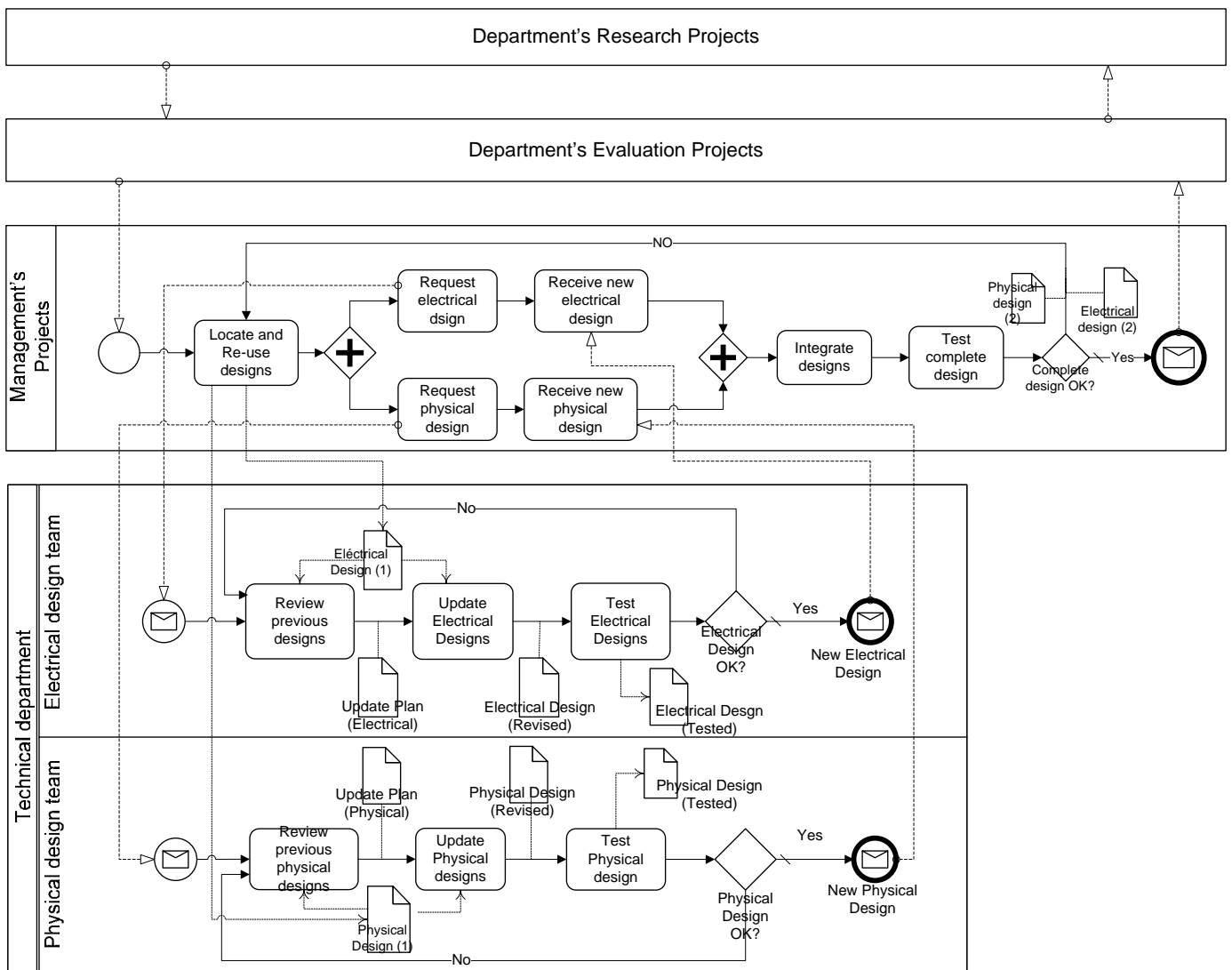
**1) Answer the following questions:**

- \_\_\_\_\_ 1. Can the entity **Physical design team** perform the activity “**Test complete design**”?
- \_\_\_\_\_ 2. Is the **Physical design (1)** data object an output product of the activity “**Locate and reuse designs**”?
- \_\_\_\_\_ 3. Is the activity “**Request Physical Design**” performed by the **Management Projects** entity submitted to the **Department’s Evaluation Projects** entity?

Please write finishing time (indicating h/m/s): \_\_\_\_\_

**2) According to your own criteria how do you rate the business process model’s COMPLEXITY?**

Very Easy  Quite Easy  Normal  Quite Complex  Very Complex



**Model 6 - Concurrent Engineering Model**

**Tasks to be carried out:**

Please write starting time (indicating h/m/s): \_\_\_\_\_

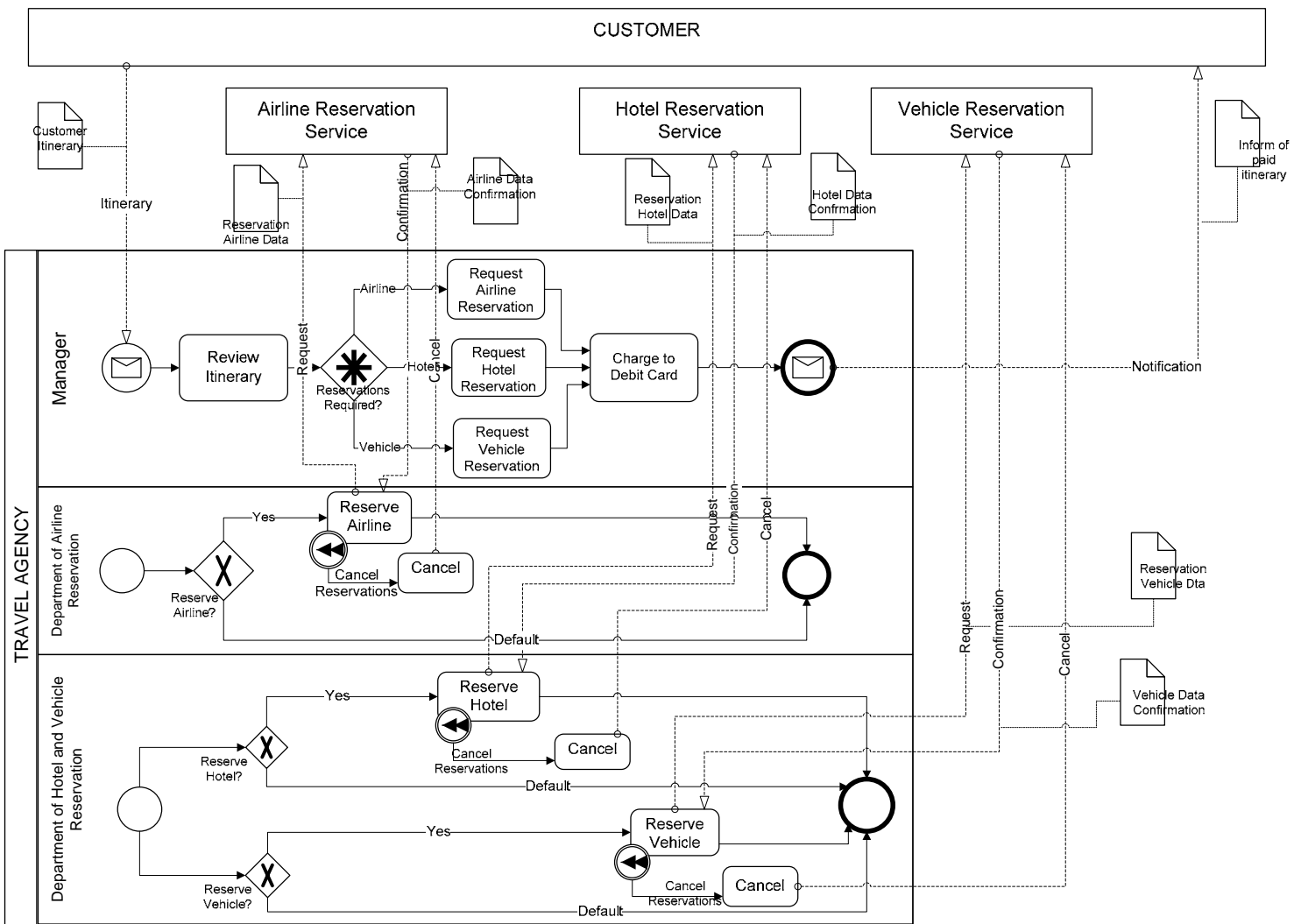
**1) Answer the following questions:**

- \_\_\_\_\_ 1. Is the **Customer Itinerary** data object an output product of the activity **“Review Itinerary”**?
- \_\_\_\_\_ 2. Is the activity **“Reserve vehicle”**, performed by the **Travel Agency** entity, submitted to the **Customer** entity?
- \_\_\_\_\_ 3. Can the entity **Manager** perform the activity **“Charge to debit card”**?

Please write finishing time (indicating h/m/s): \_\_\_\_\_

**2) According to your own criteria how do you rate the business process model’s COMPLEXITY?.**

Very Easy  Quite Easy  Normal  Quite Complex  Very Complex



Model 7 - Itinerary Reservation Process.

**Tasks to be carried out:**

Please write starting time (indicating h/m/s): \_\_\_\_\_

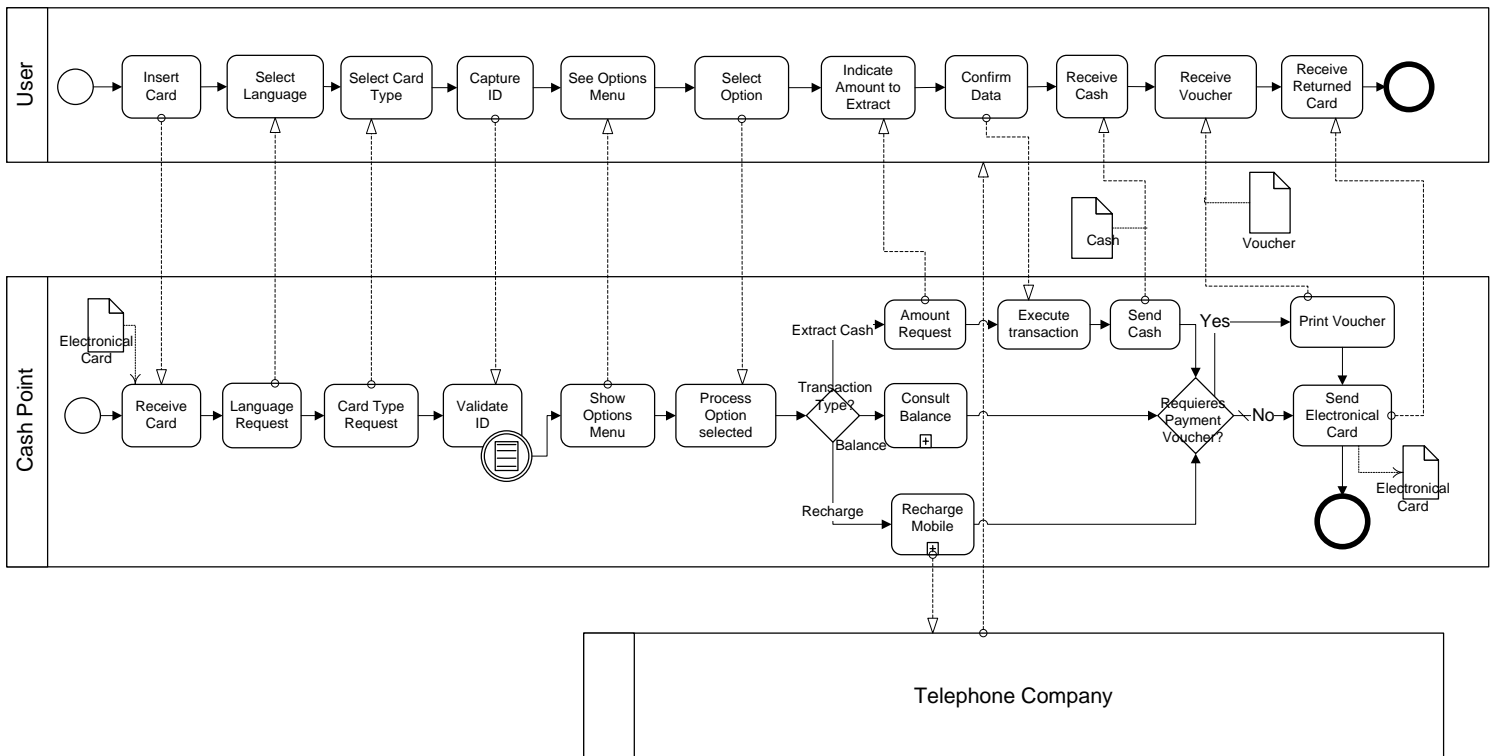
**1) Answer the following questions:**

- \_\_\_\_\_ 1. Is the subprocess **“Recharge mobile”** performed by the **Cash Point** entity submitted to the **User** entity ?
- \_\_\_\_\_ 2. Is the **Electronical Card** data object an input product to the activity **“Receive Card (1)”**?
- \_\_\_\_\_ 3. Can the **User** entity perform the activity **“Confirm data”**?

Please write finishing time (indicating h/m/s): \_\_\_\_\_

**2) According to your own criteria how do you rate the business process model’s COMPLEXITY?.**

Very Easy  Quite Easy  Normal  Quite Complex  Very Complex



Model 8 – Cash Point Process



**Tasks to be carried out:**

Please write starting time (indicating h/m/s): \_\_\_\_\_

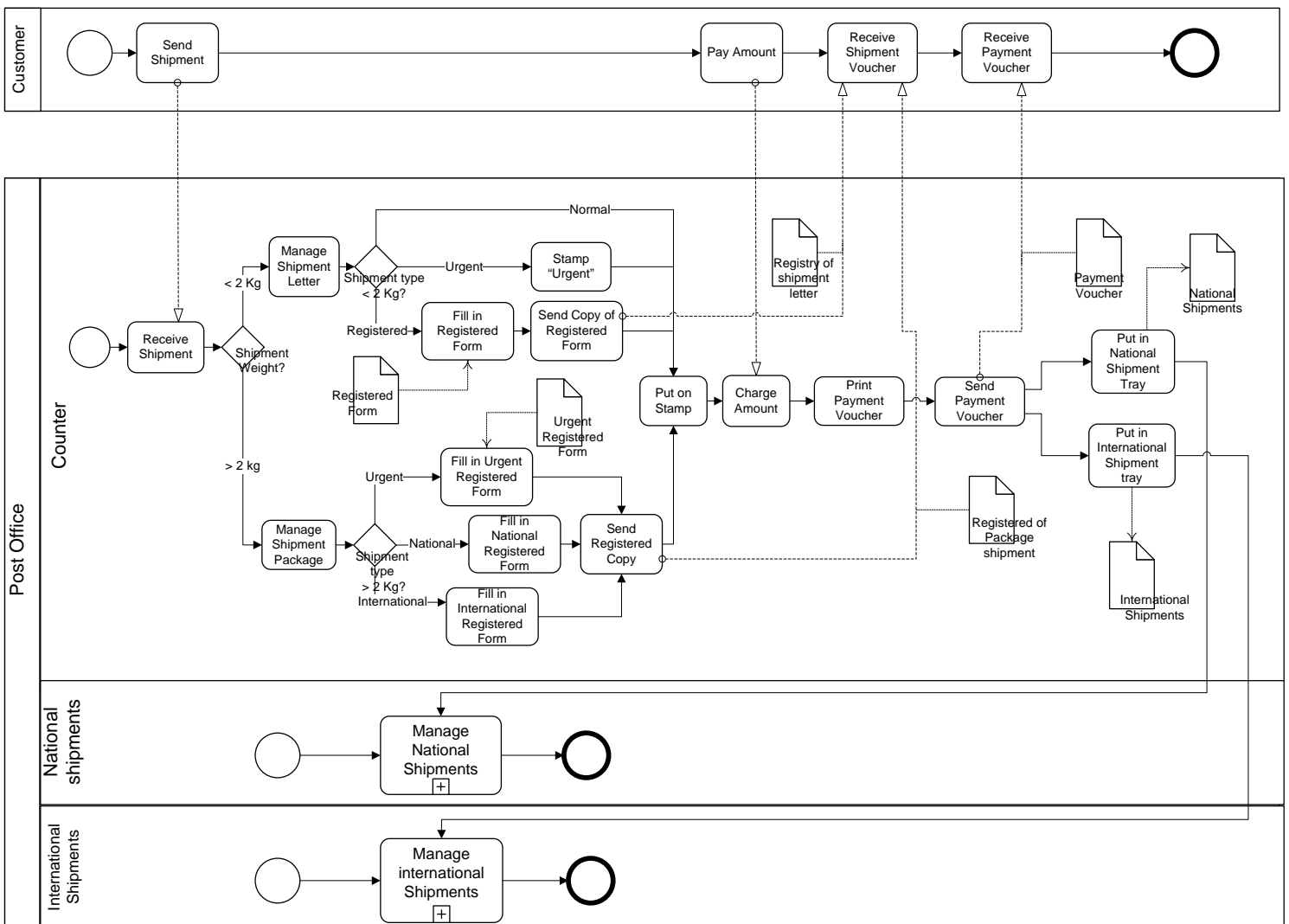
**1) Answer the following questions:**

- \_\_\_\_\_ 1. Can the **National Shipments** entity performs the activity “**Manage shipment package**”?
- \_\_\_\_\_ 2. Is the activity “**Pay amount**”, performed by the **Customer** entity, submitted to the **Counter** entity?
- \_\_\_\_\_ 3. Is the **Registered of Packaged shipment** data object an output product of the activity “**Receive shipment voucher**”?

Please write finishing time (indicating h/m/s): \_\_\_\_\_

**2) According to your own criteria how do you rate the business process model’s COMPLEXITY?.**

Very Easy  Quite Easy  Normal  Quite Complex  Very Complex



Model 9– Postal Shipments Process

**Tasks to be carried out:**

Please write starting time (indicating h/m/s): \_\_\_\_\_

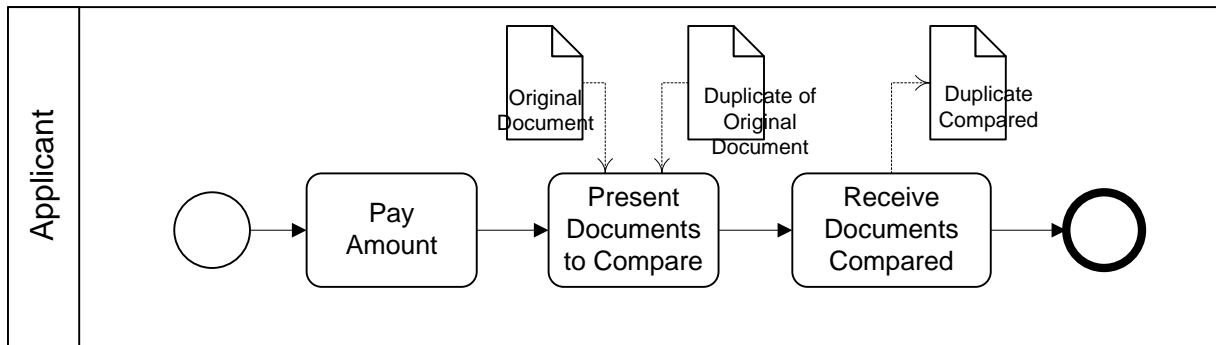
**1) Answer the following questions:**

- \_\_\_\_\_ 1. Can the **Applicant** entity perform the activity **“Present documents to compare”**?
- \_\_\_\_\_ 2. Is the activity **“Pay Amount”** performed by the **Applicant** entity, submitted to another entity of the process?
- \_\_\_\_\_ 3. Is the **Duplicated compared** data object an output product of the activity **“Receive documents compared”**?

Please write finishing time (indicating h/m/s): \_\_\_\_\_

**2) According to your own criteria how do you rate the business process model’s COMPLEXITY?.**

Very Easy     Quite Easy     Normal     Quite Complex     Very Complex



Model 10 - Compare Documents

**Tasks to be carried out:**

Please write starting time (indicating h/m/s): \_\_\_\_\_

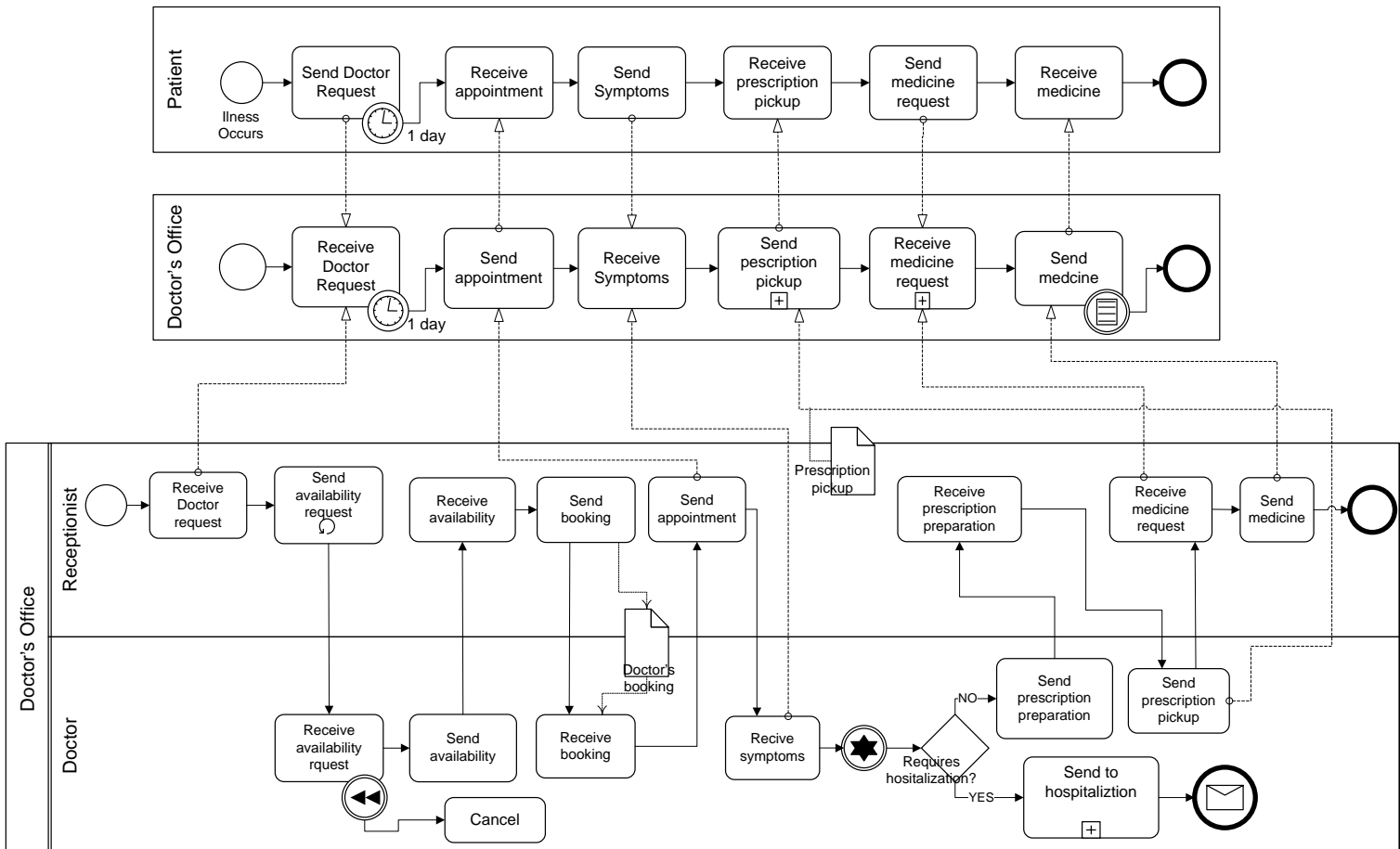
**1) Answer the following questions:**

- \_\_\_\_\_ 1. When the activity “**Send prescription pickup**” has been executed, has the activity “**Receive symptoms**” been previously executed?
- \_\_\_\_\_ 2. Does the start event of the **Receptionist** entity trigger the activity “**Send availability request**”?
- \_\_\_\_\_ 3. Does the activity “**Receive booking**” precede the activity “**Receive availability**”?

Please write finishing time (indicating h/m/s): \_\_\_\_\_

**2) According to your own criteria how do you rate the business process model’s COMPLEXITY?.**

Very Easy  Quite Easy  Normal  Quite Complex  Very Complex



Model 11 - Patient visits the doctor process.

**Tasks to be carried out:**

Please write starting time (indicating h/m/s): \_\_\_\_\_

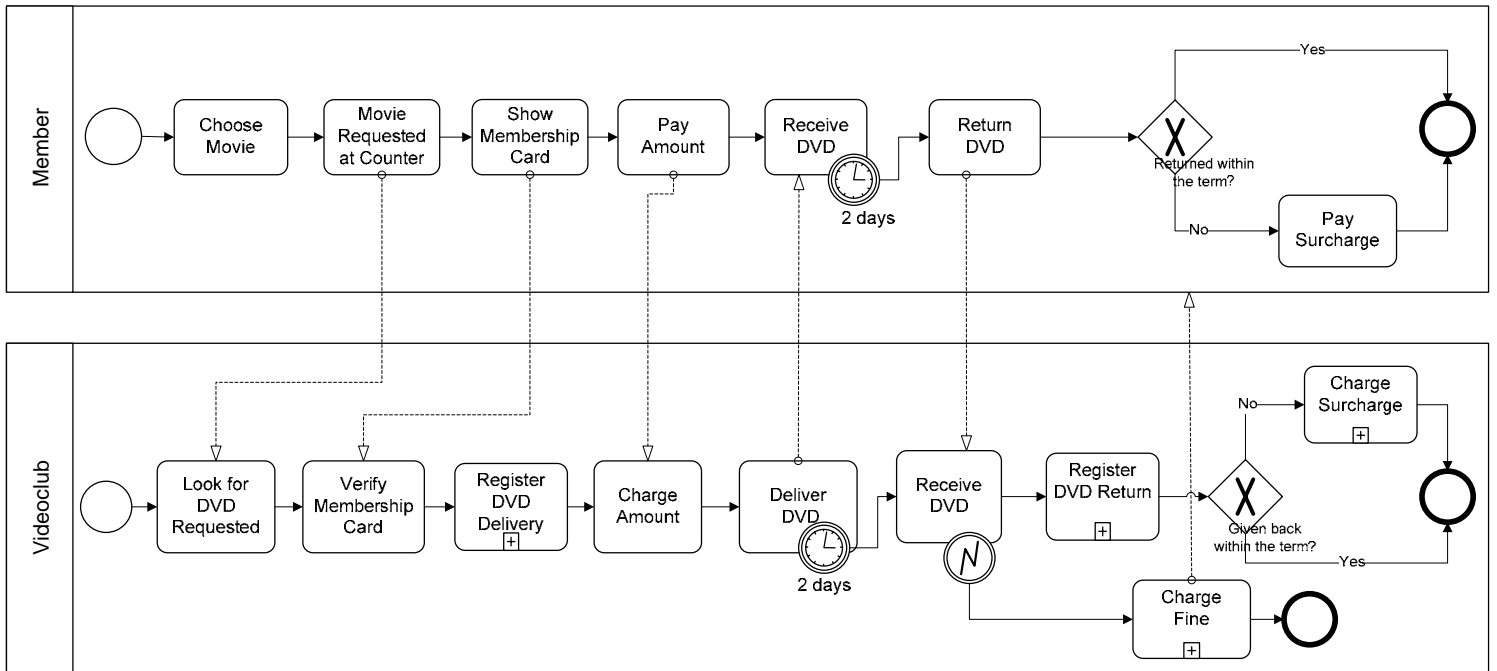
**1) Answer the following questions:**

- \_\_\_\_\_ 1. Does the intermediate event time (2 days) attached to the activity “**Receive DVD**” trigger the activity “**Pay amount**”?
- \_\_\_\_\_ 2. Does the activity “**Deliver DVD**” precede the subprocess “**Register DVD return**”?
- \_\_\_\_\_ 3. When the subprocess “**Charge fine**” has been executed, has the activity “**Charge surcharge**” been previously executed?

Please write finishing time (indicating h/m/s): \_\_\_\_\_

**2) According to your own criteria how do you rate the business process model’s COMPLEXITY?.**

Very Easy     Quite Easy     Normal     Quite Complex     Very Complex



Model 12 – Video Club Process

**Tasks to be carried out:**

Please write starting time (indicating h/m/s): \_\_\_\_\_

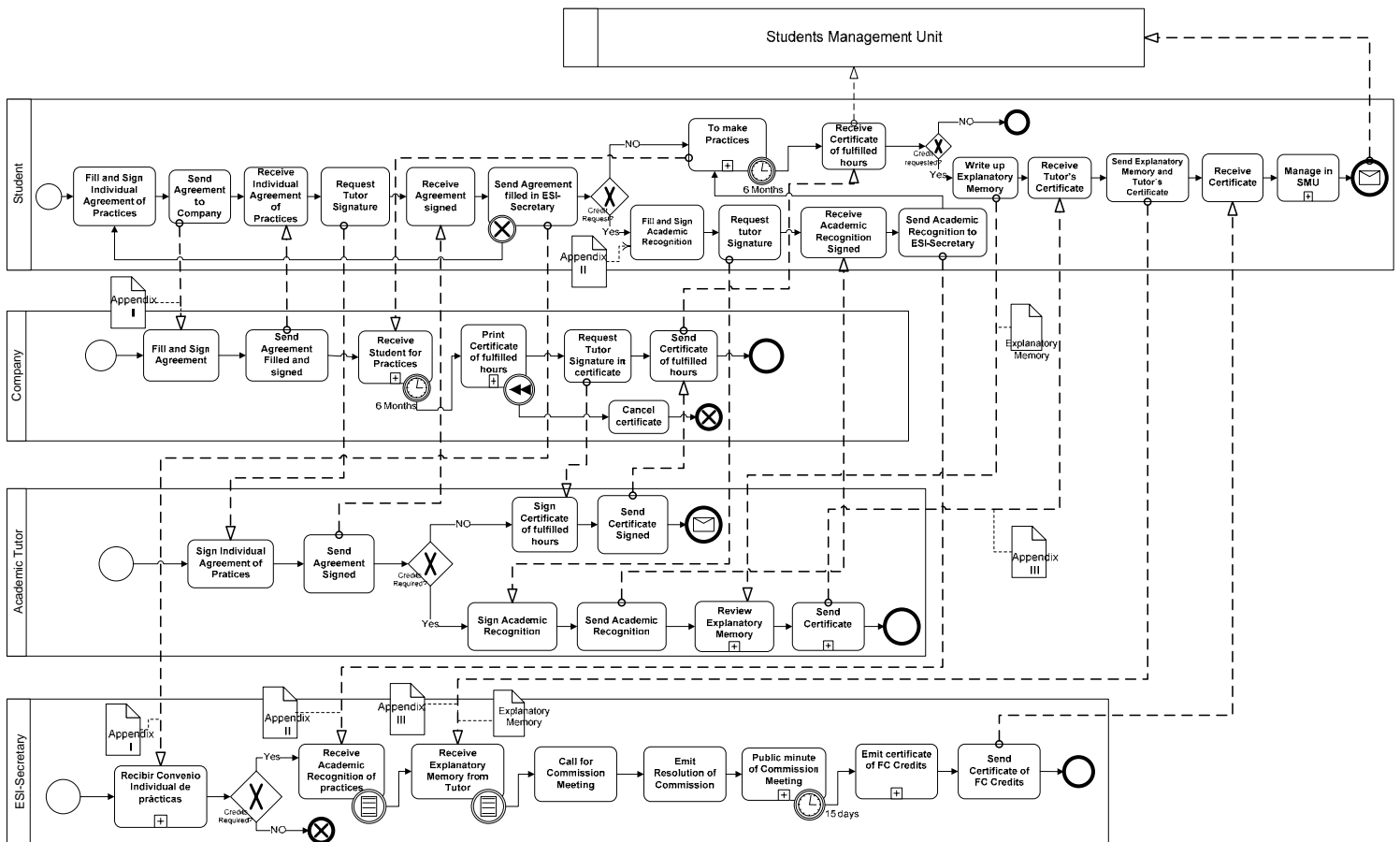
**1) Answer the following questions:**

- \_\_\_\_\_ 1. Does the activity “**Send academic recognition**” precede the subprocess “**Send certificate**”?
- \_\_\_\_\_ 2. Does the compensation intermediate event of the subprocess “**Print certificate of fulfilled hours**”, trigger the activity “**Request tutor’s signature in certificate**”?
- \_\_\_\_\_ 3. When the activity “**Receive tutor’s certificate**” has been executed, has the activity “**Receive certificate of fulfilled hours**” been previously executed?

Please write finishing time (indicating h/m/s): \_\_\_\_\_

**2) According to your own criteria how do you rate the business process model’s COMPLEXITY?.**

Very Easy  Quite Easy  Normal  Quite Complex  Very Complex



Model 13 - Management of Practices in Companies

**Tasks to be carried out:**

Please write starting time (indicating h/m/s): \_\_\_\_\_

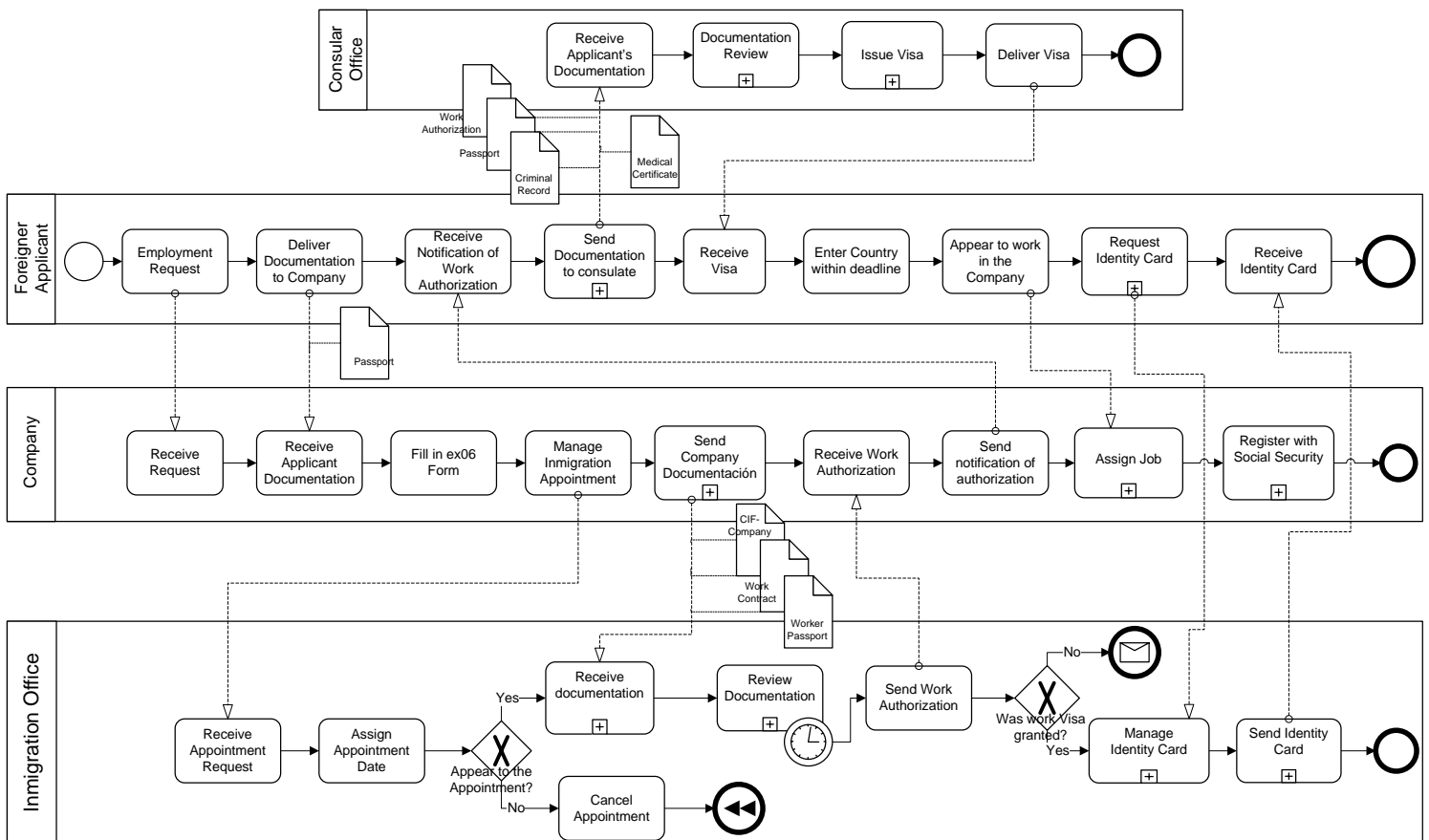
**1) Answer the following questions:**

- \_\_\_\_\_ 1. When the activity **“Receive Visa”** has been executed, has the activity **“Receive identity card”** been previously executed?
- \_\_\_\_\_ 2. Does the activity **“Receive authorization of work”** precede the activity **“Fill in ex06 form”**?
- \_\_\_\_\_ 3. Does the start event of the **Foreigner applicant** entity trigger the activity **“Employment Request”**?

Please write finishing time (indicating h/m/s): \_\_\_\_\_

**2) According to your own criteria how do you rate the business process model’s COMPLEXITY?.**

Very Easy  Quite Easy  Normal  Quite Complex  Very Complex



Model 14 –Work Contract for Foreigners

**Tasks to be carried out:**

Please write starting time (indicating h/m/s): \_\_\_\_\_

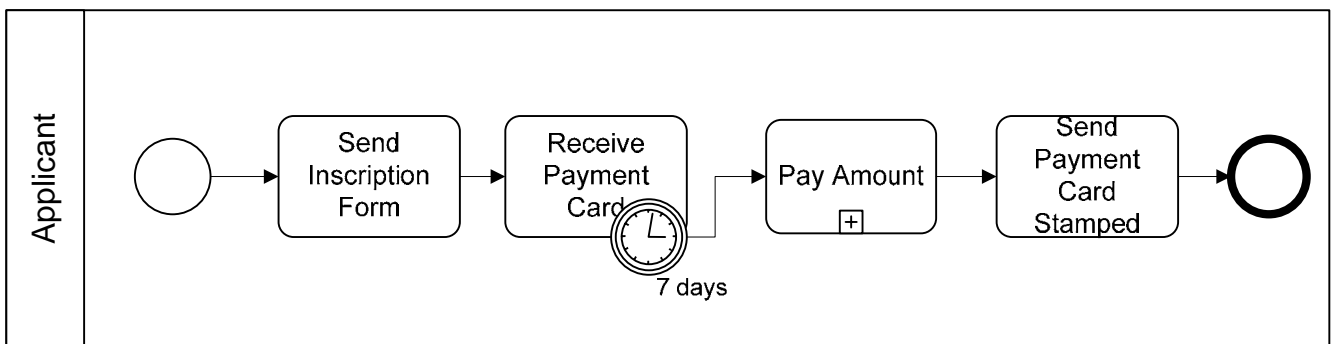
**1) Answer the following questions:**

- \_\_\_\_\_ 1. Does the intermediate event time (7 days) of the activity **“Receive payment card”** trigger the subprocess **“Pay amount”**?
- \_\_\_\_\_ 2. Does the activity **“Send payment card stamped”** precede the activity **“Receive payment card”**?
- \_\_\_\_\_ 3. When the activity **“Pay amount”** has been executed, has the activity **“Send inscription form”** been previously executed?

Please write finishing time (indicating h/m/s): \_\_\_\_\_

**2) According to your own criteria how do you rate the business process model’s COMPLEXITY?.**

Very Easy  Quite Easy  Normal  Quite Complex  Very Complex



Model 15 -Inscription to University Sports Unit